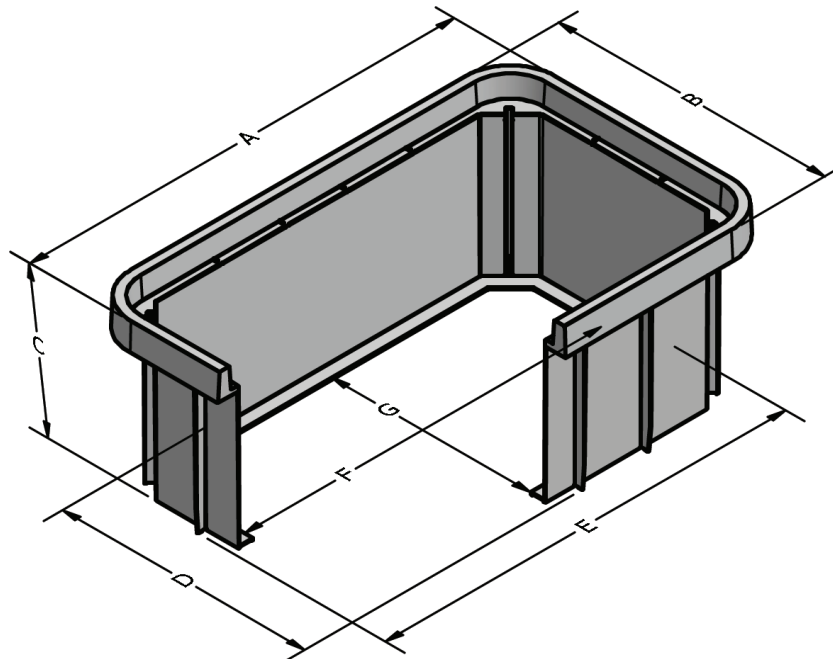
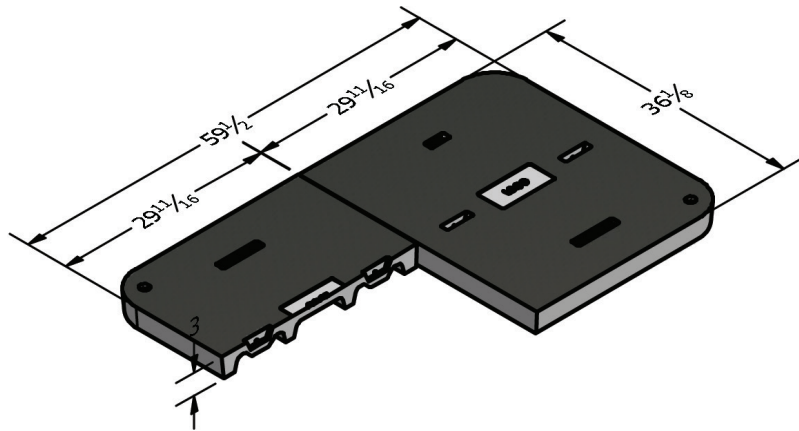


# 3660



	A	B	C	D	E	F	G
3660-24	63	39-5/8	24	36-1/4	59-5/8	52-3/4	29-3/8
3660-36	63	39-5/8	36	36-1/4	59-5/8	52-3/4	29-3/8

**COVER:**

- Style: Flush Solid
- Material: DuoMold Composite
- Model: 36" x 60"
- Weight: 358 lbs
- Std. Fasteners: 1/2-13 Stainless Steel Hex Head Bolt, Self-Locating Insert
- Options: Logos and Special Markings
- Surface: Slip Resistant & Marked\*
- Coefficient of Friction: >0.6 ASTM 1028
- Performance: ANSI/SCTE-77 Tier 22, WUC 3.6, ASTM C857 A-16

**BODY:**

- Material: DuoMold Composite
- Model: 36" x 60"
- Weight: 24" Depth: 190 lbs  
36" Depth: 222 lbs
- Wall Type: Straight
- Performance: ANSI/SCTE-77 Tier 22, WUC 3.6, ASTM C857 A-16

Bodies are stackable\*\* to  
Depths of: 48", 60", 72"



Heavy Duty: Incidental,  
Non-deliberate Traffic

For use in non-vehicular traffic  
situations only.

Actual load rating is determined by the  
box and cover combination.  
Weights and dimensions may vary slightly

Rev 12/2016 ©2016 Oldcastle, Inc.

\* Cover comes standard with permanent markings for manufacturer, load rating, model size and manufacturing location.

Contact your Oldcastle Enclosure Solutions Distribution Center for specific information and additional options.

**3660**

**Options:**

**Available DuoMold Composite Covers:**

Flush Solid (Standard)

**Fastener Options for DuoMold Composite Covers:**

- Hex Head Bolt (Standard)
- Penta Head Bolt
- Oldcastle Enclosures Vandal Resistant Bolt

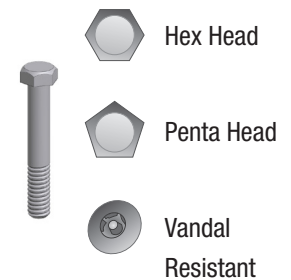
**Add on Options:**

- Larger Lift Hook Pocket
- EMS Marker (E)
- Mouseholes/Knockouts
- Rack Mount (A)
- Cable Racks/Cable Arms (B)
- Unistrut (C)
- Pulling Eye - 1,000 lb and 3,000 lb (D)
- Ground Buss (F)
- Dividers
- Racking Provision
- Lid Gaskets\*
- Solid Bottom
- Bodies are Stackable (with tallest body on bottom)

\*Lid Gaskets inhibit water flow into the box, they do not make Enclosure fully waterproof.



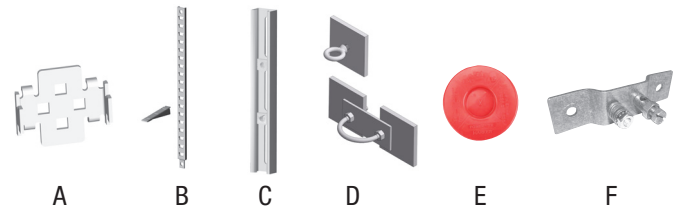
Composite Cover



Hex Head

Penta Head

Vandal Resistant



A

B

C

D

E

F

**Raw Material Specifications:**

Standard Test Method	Properties of Raw Material	ASTM Designation	Typical Value
Compressive Strength of Polymer Concretes	Compressive Strength	C 469	> 17,000 psi
Flexural Properties of Plastic Materials	Flexural Strength	D 790	> 14,000 psi
Resistance of Plastics to Chemical Reagents	Chemical Resistance		Retain > 75% of original strength
Impact Resistance by Means of a Falling Weight	Impact Resistance	D 2444	> 70 ft-lb
Static Coefficient of Friction	Friction Coefficient	C 1028	> 0.6

ASTM Specifications shall be the current revision  
Test Reports available on request

The Rural Utility Service (RUS) is a department of the US Department of Agriculture organized to facilitate rural developments. You will find Oldcastle Enclosure Solutions brand enclosures listed by the RUS. All Oldcastle Enclosure Solutions brand enclosures conform to the RUS "Tamper Resistant" fastener design for buried pedestals.

**Product Load Rating:**



**Heavy Duty : Non-deliberate Traffic**

For use in non-vehicular traffic situations only.

**Note:**

Actual load rating is determined by the box and cover combination. Weights and dimensions may vary slightly  
All information contained on this sheet is current at the time of printing.  
Oldcastle Precast, Inc. reserves the right to discontinue or update product information without notice.



Rev 12/2016 ©2016 Oldcastle, Inc.